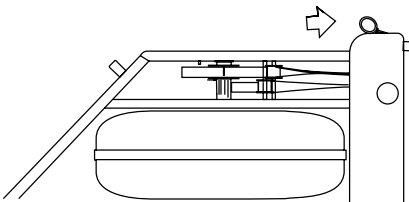


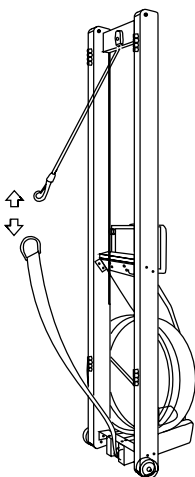


Tacho Belt Replacement

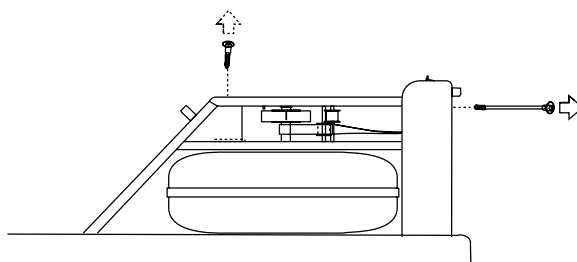
Step 1- Remove the Handle from the handle rests and place the handle in the full forward position as shown.



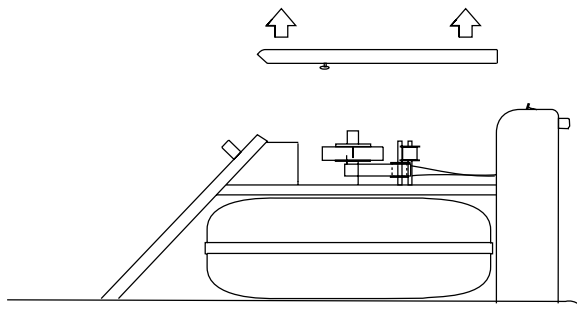
Step 2- Stand the WaterRower upright and disconnect the bungee as shown.



Step 3- Lay the WaterRower down. Remove the tie rods and JCB bolts connecting the top deck to the tank assembly as shown.



Step 4- Remove the top deck assembly as shown, being careful not to dislodge the guide pulleys. You may have to disconnect the tacho pulley. Disconnect the tacho motor plug.

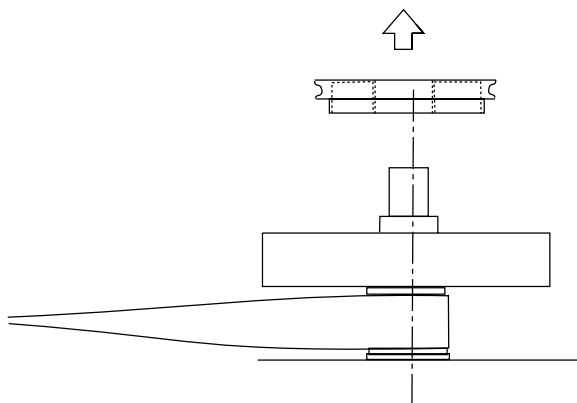


WaterRower

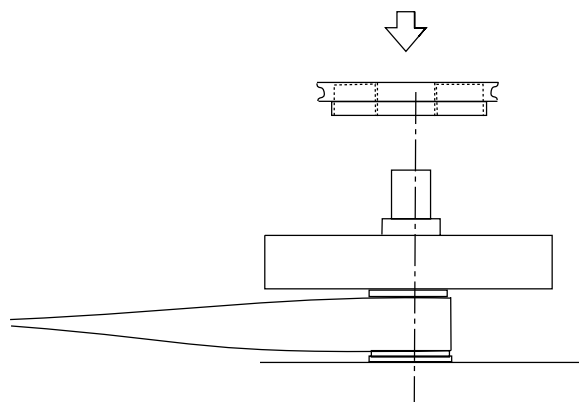
Europe: 5 Goldhawk Estate, Brackenhury Road, London, W6 0BA, Tel: 0208 749 8400
support@waterrower.co.uk, www.waterrower.co.uk
America: 30 Cutler Street, Warren, RI, 02885, Tel: 401 247 7742
support@waterrower.com, www.waterrower.com



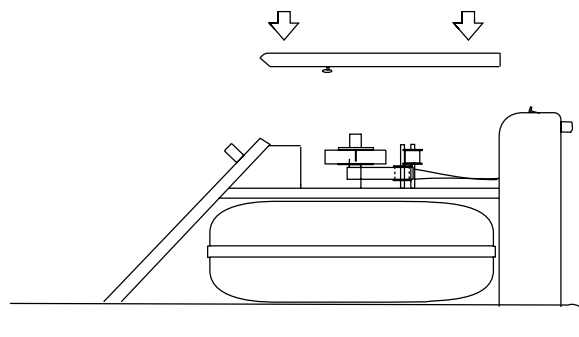
Step 5- Remove the tacho belt and the tacho clutch pulley as shown.



Step 6- Replace the tacho belt and the tacho clutch pulley as shown.



Step 5- Replace the tacho belt and replace the top deck as shown.

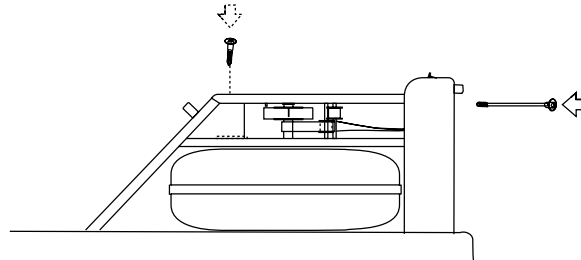


WaterRower

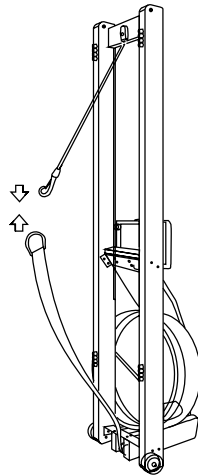
Europe: 5 Goldhawk Estate, Brackenbury Road, London, W6 0BA, Tel: 0208 749 8400
support@waterrower.co.uk, www.waterrower.co.uk
America: 30 Cutler Street, Warren, RI, 02885, Tel: 401 247 7742
support@waterrower.com, www.waterrower.com



Step 8- Replace the JCB bolts and tie rods connecting the top deck to the tank assembly as shown. Ensure that the tie rod cross dowel slots are aligned with the tie rod. You may utilise a screw driver to assist this. Before tightening the screw, using a long slender screw driver to lift the tacho belt onto the tacho motor pulley and the tacho clutch pulley.



Step 9- Stand the WaterRower upright and connect the recoil belt to the bungee as shown.



Note: If the recoil belt buckle and D-ring have been removed it will be necessary to refit them before Step 9 may be completed. Refer to the Recoil Buckle Replacement Instruction for details

WaterRower

Europe: 5 Goldhawk Estate, Brackenbury Road, London, W6 0BA, Tel: 0208 749 8400
support@waterrower.co.uk, www.waterrower.co.uk
America: 30 Cutler Street, Warren, RI, 02885, Tel: 401 247 7742
support@waterrower.com, www.waterrower.com