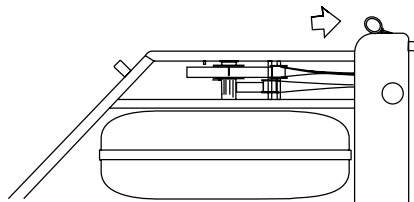


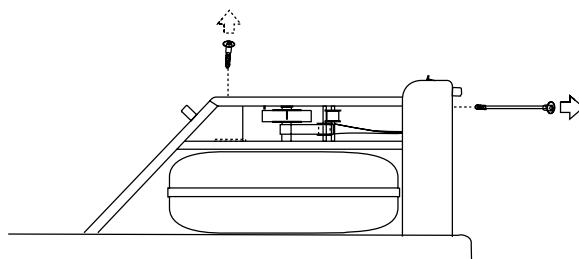


## Monitor Replacement

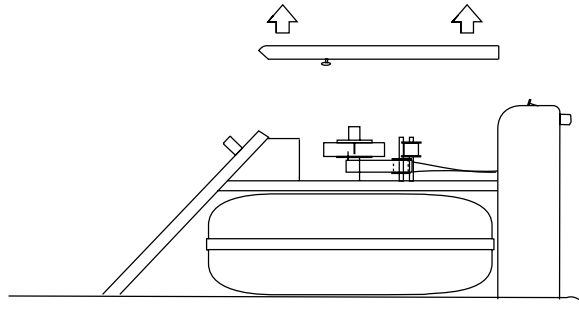
**Step 1-** Remove the Handle from the handle rests and place the handle in the full forward position as shown.



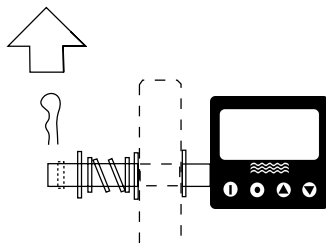
**Step 2-** Remove the tie rods and JCB bolts connecting the top deck to the tank assembly as shown.



**Step 3-** Remove the top deck assembly as shown, being careful not to dislodge the guide pulleys. You may have to disconnect the tacho pulley. Disconnect the tacho motor plug.



**Step 4-** Disconnect the tacho motor plug and the battery. Remove R pin retaining the monitor assembly as shown.

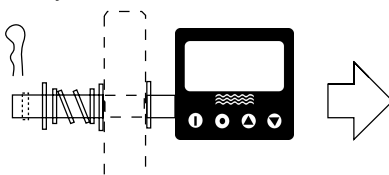


### WaterRower

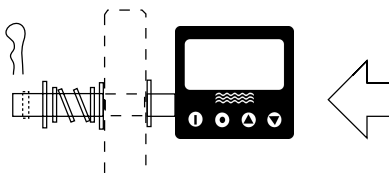
Europe: 5 Goldhawk Estate, Brackenhurst Road, London, W6 0BA, Tel: 0208 749 8400  
support@waterrower.co.uk, www.waterrower.co.uk  
America: 30 Cutler Street, Warren, RI, 02885, Tel: 401 247 7742  
support@waterrower.com, www.waterrower.com



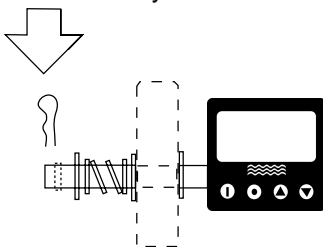
**Step 5-** Remove the monitor assembly from the key bracket as shown.



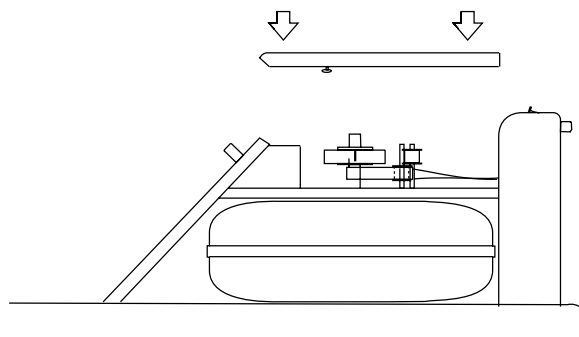
**Step 6-** Replace the monitor assembly from the key bracket as shown. Ensure that the spring and washer orientation is correct. There is a washer either side of the key bracket and washers either side of the spring.



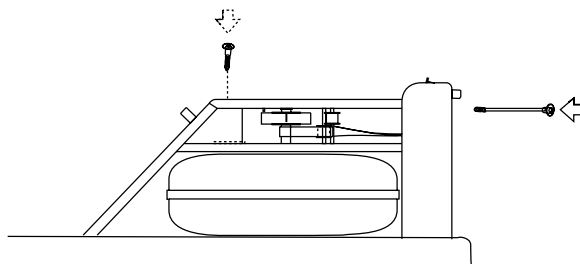
**Step 7-** Replace the R pin retaining the monitor assembly as shown. Reconnect the tacho motor plug and the battery.



**Step 8-** Replace the tacho belt and replace the top deck as shown.



**Step 9-** Replace the JCB bolts and tie rods connecting the top deck to the tank assembly as shown. Ensure that the tie rod cross dowel slots are aligned with the tie rod. You may utilise a screw driver to assist this. Before tightening the screw, using a long slender screw driver to lift the tacho belt onto the tacho motor pulley and the tacho clutch pulley.



### WaterRower

Europe: 5 Goldhawk Estate, Brackenbury Road, London, W6 0BA, Tel: 0208 749 8400  
support@waterrower.co.uk, www.waterrower.co.uk  
America: 30 Cutler Street, Warren, RI, 02885, Tel: 401 247 7742  
support@waterrower.com, www.waterrower.com