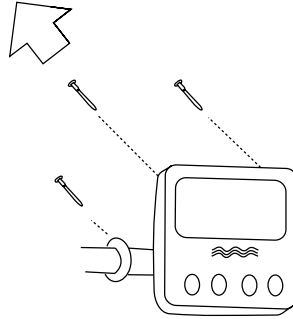


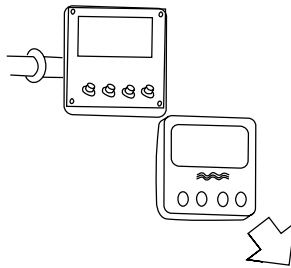


## Monitor Board Replacement

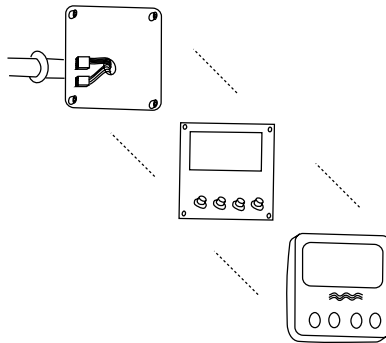
**Step 1-** Remove screws (4) fastening the monitor facia to the monitor backplate as shown.



**Step 2-** Remove the Facia Assembly as shown.



**Step 3-** Remove monitor circuit board as shown.

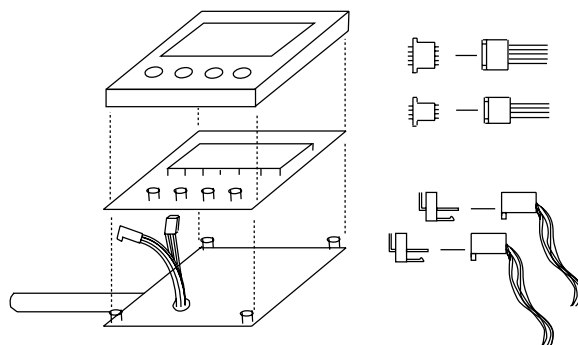


### WaterRower

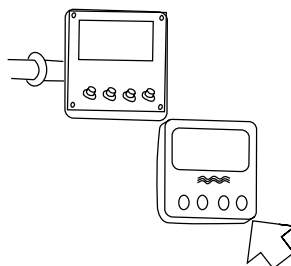
Europe: 5 Goldhawk Estate, Brackebury Road, London, W6 0BA, Tel: 0208 749 8400  
support@waterrower.co.uk, www.waterrower.co.uk  
America: 30 Cutler Street, Warren, RI, 02885, Tel: 401 247 7742  
support@waterrower.com, www.waterrower.com



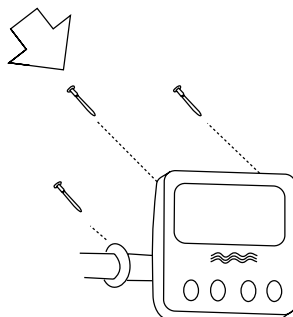
**Step 4-** Replace monitor circuit board as shown. Be careful to ensure that you place the socket on the correct header (i.e. five pin to five pin and four pin to four pin). Also be careful to ensure that the socket is orientated correctly. They sockets and headers are designed only fit in one direction, if enough force is applied however then it is possible to fit them incorrectly. Look at the arrangement, it should be obvious which is the right and which is the wrong way. Typically the wires should face the circuit board.



**Step 5-** Replace facia assembly as shown.



**Step 6-** Replace screws (4) fastening the monitor facia to the monitor backplate as shown.



### WaterRower

Europe: 5 Goldhawk Estate, Brackenbury Road, London, W6 0BA, Tel: 0208 749 8400  
support@waterrower.co.uk, www.waterrower.co.uk  
America: 30 Cutler Street, Warren, RI, 02885, Tel: 401 247 7742  
support@waterrower.com, www.waterrower.com